

ASCOM Canon Lens Controller [Mark II](#)  
Special adapter for FLI PL/ML camera



This adapter supports:

[PL/ML9000 \\*](#)

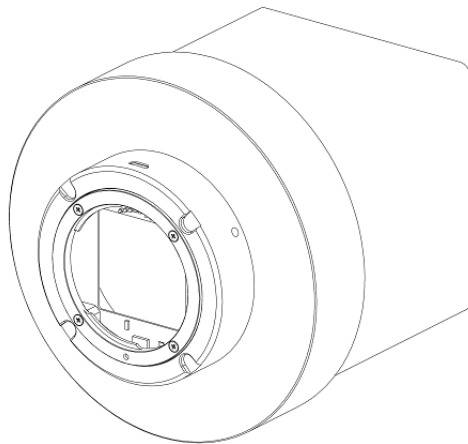
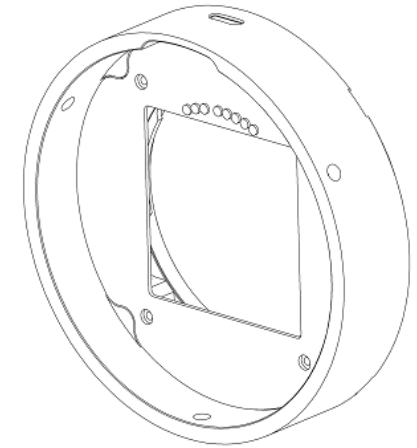
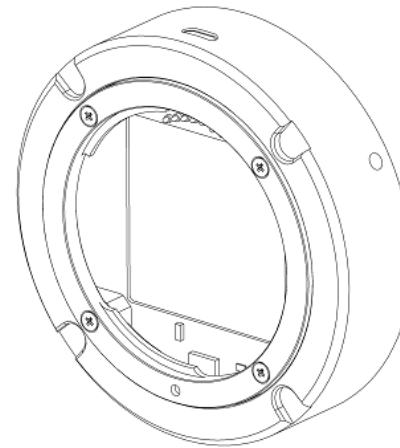
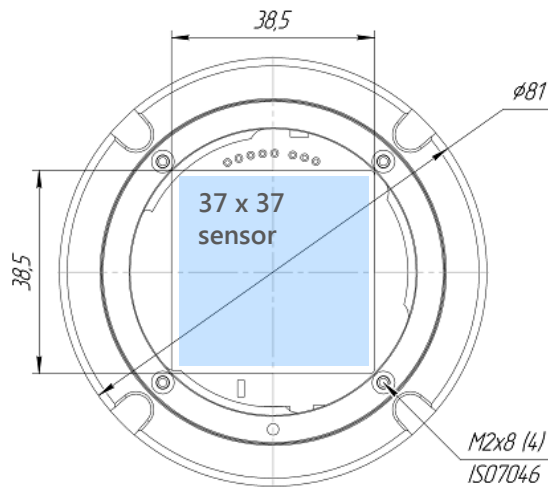
[PL/ML16803 \\*](#)

\* without a filter wheel

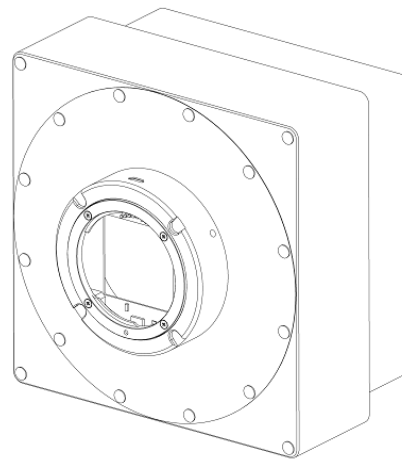
Please, see the Useful Links page for camera drawings.

The adapter is about 21,5 mm thick.

Mounting to the camera with three screws on the side (hexagon socket set screws with cone point, DIN914).



Connected to **ML** camera



Connected to **PL** camera

This adapter is compatible only with Canon **EF** lenses.

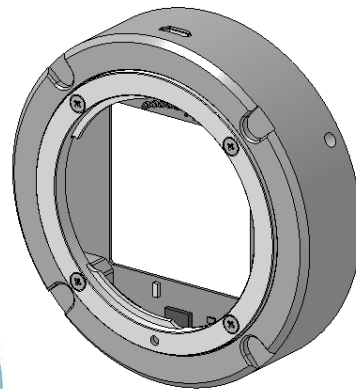
This adapter uses a **micro USB** connector.

Connection methods are the same for both PL and ML series.  
Unfortunately, using a filter wheel is not possible.

**Note:** back focal length of Canon lenses is about 44 mm.

**Note:** this adapter doesn't require any additional parts.

21,5



Special adapter for FLI PL/ML camera

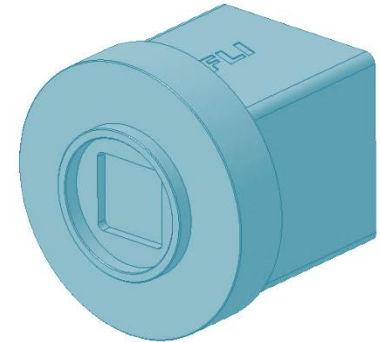


Canon EF lens or compatible lens (Sigma, Tamron)

21,5

22,3

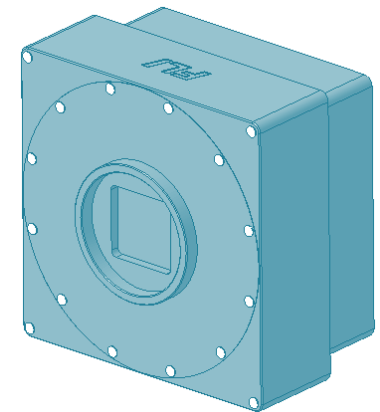
43,8



FLI ML camera w/o FW:  
ML9000/ML16803

22,3

43,8



FLI PL camera w/o FW:  
PL9000/PL16803

For ordering information, please contact us via:

**Skype:** [live:astromechanicsgroup](skype:live:astromechanicsgroup)

or

**E-mail:** [astromechanicsgroup@gmail.com](mailto:astromechanicsgroup@gmail.com)

**Didn't find a suitable adapter? Don't worry!**

[We can make a custom adapter](#) of any thickness, with any thread and even according to your drawings! Feel free to contact us.

**This page provides useful links to camera drawings and other resources.**

For detailed information, please refer to the official website of the camera manufacturer.

Model	URL	Description
<a href="#">FLI PL series camera</a>	<a href="https://astromechanics.org/downloads/ascom_ef/en/pic/FLI_PL.png">https://astromechanics.org/downloads/ascom_ef/en/pic/FLI_PL.png</a>	Drawing
<a href="#">FLI ML series camera</a>	<a href="https://astromechanics.org/downloads/ascom_ef/en/pic/FLI_ML.png">https://astromechanics.org/downloads/ascom_ef/en/pic/FLI_ML.png</a>	Drawing