

ASCOM Canon Lens Controller [Mark II](#)
M54 x 0.75 mm adapter for APS-H / FF camera



This adapter supports:

QHY128C

QHY168C

QHY247C

QHY268C

QHY367C

QHY600C

QHY27

QHY28

ASI071MC

ASI094MC

ASI2400MC

ASI2600MC

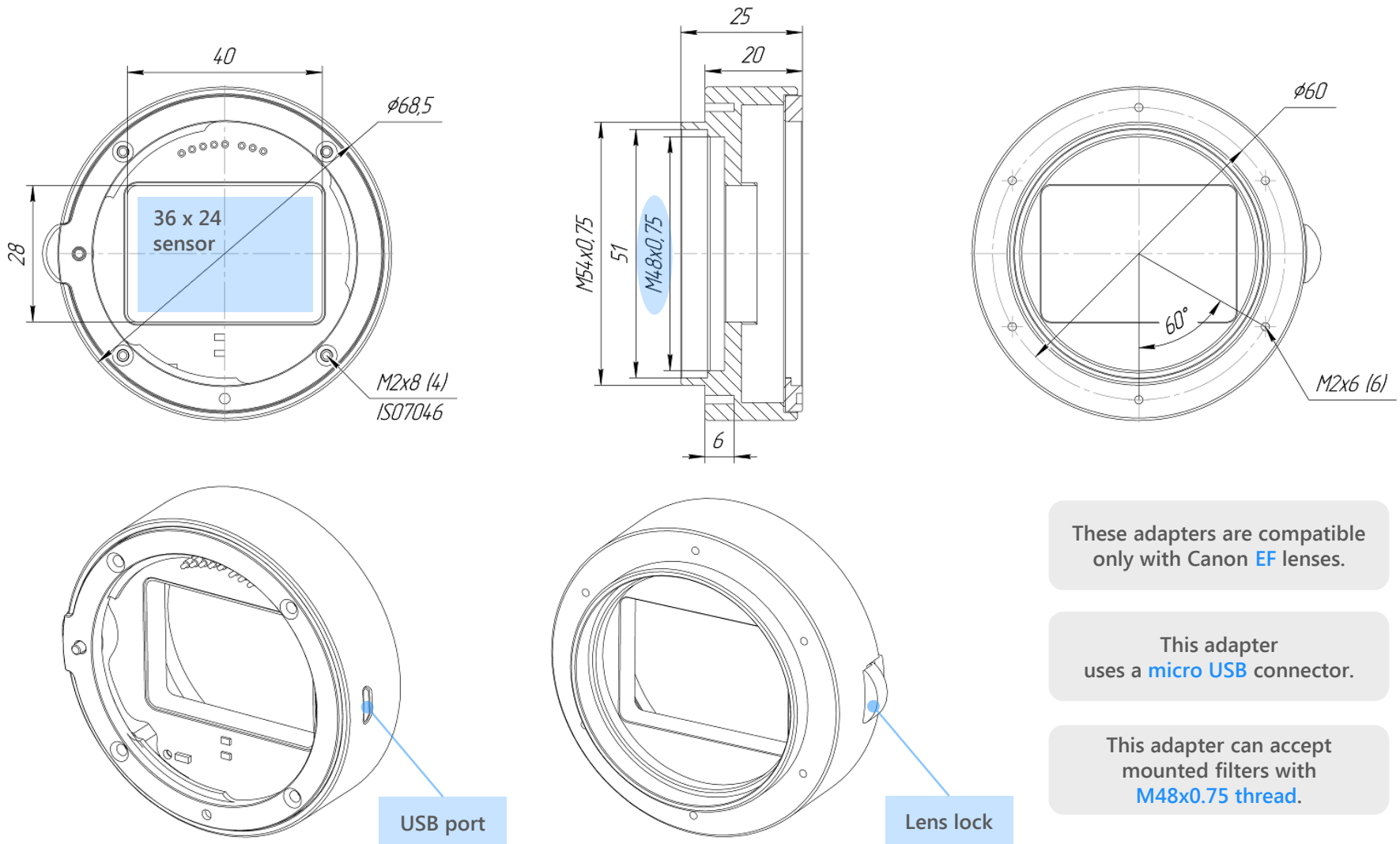
ASI6200MC

Any other camera with M54x0.75 thread,
and a similar back focal length.

This adapter can accept mounted filters with M48x0.75 thread.

Please, see the Useful Links page for camera drawings.

We offer the base adapter about 20 mm thick.
It will be compatible with most QHYCCD APS-H / FF cameras.



These adapters are compatible only with Canon **EF** lenses.

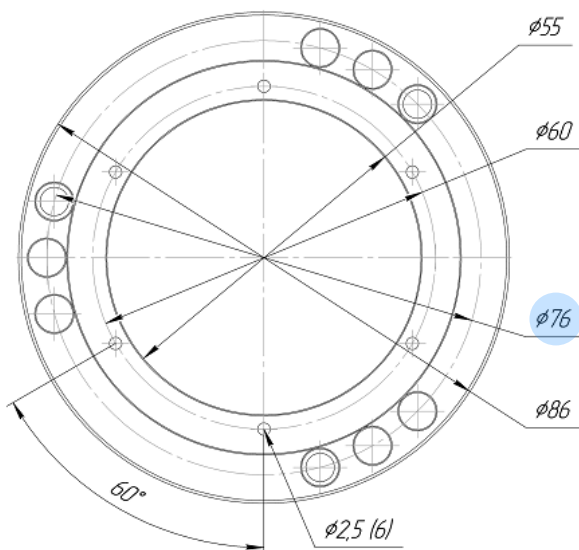
This adapter uses a **micro USB** connector.

This adapter can accept mounted filters with **M48x0.75** thread.

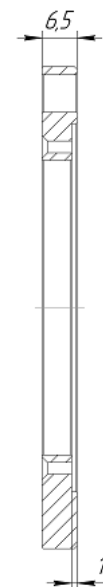
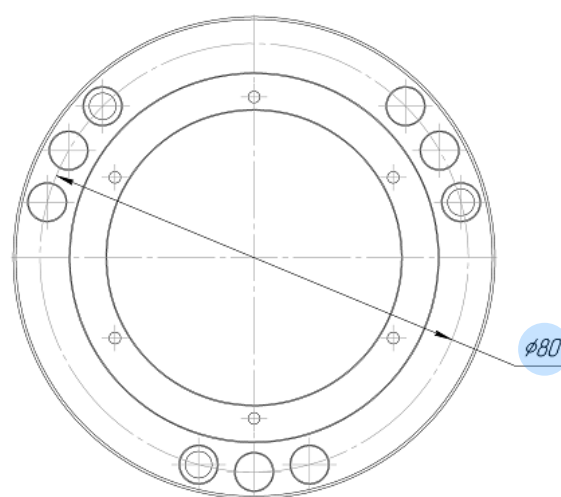
Using various mounting flanges (optional) you can connect the base adapter to your ZWO ASI camera.

Now we offer 2 types: for ASI071MC/ASI094MC and for ASI2600MC/6200MC.

For connection to
ASI071MC/094MC

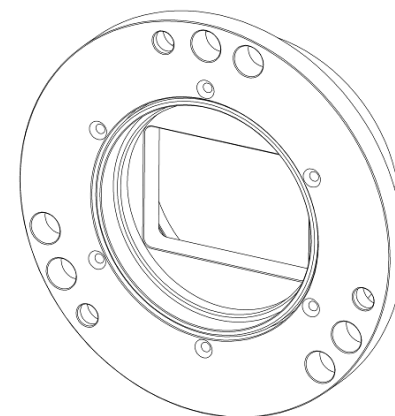
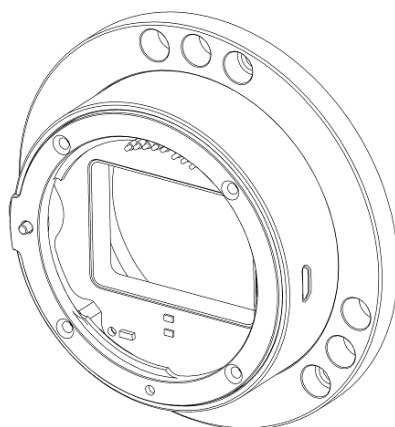


For connection to
ASI2600MC/6200MC



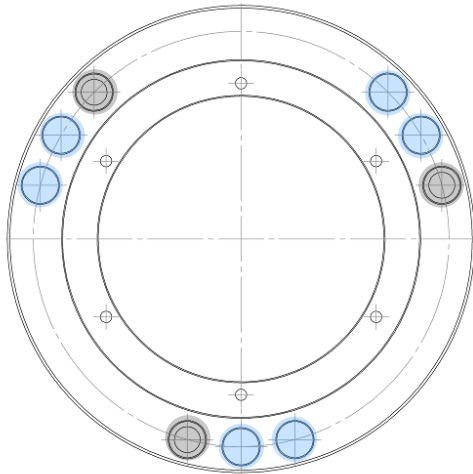
Note: The main difference between these types of flanges is the diameter on which the large holes are located: **76 mm** for ASI071MC/094MC, **80 mm** for ASI2600MC/6200MC.

Both flanges have the same thickness: **6,5 mm**, but consume only **5,5 mm** of the back focal length.



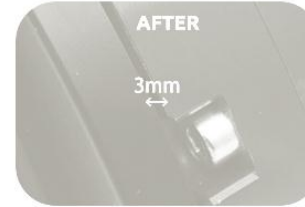
How to use the flange?

This flange has 9 large holes, **3 of which** are designed for attaching the adapter to the camera. **Other 6 holes** are needed for access to the push/pull screws. So you have the opportunity to make alignment procedures. Use a hex wrench for this. In addition, the tilt adapter allows you to change the back focal length within 3 mm.

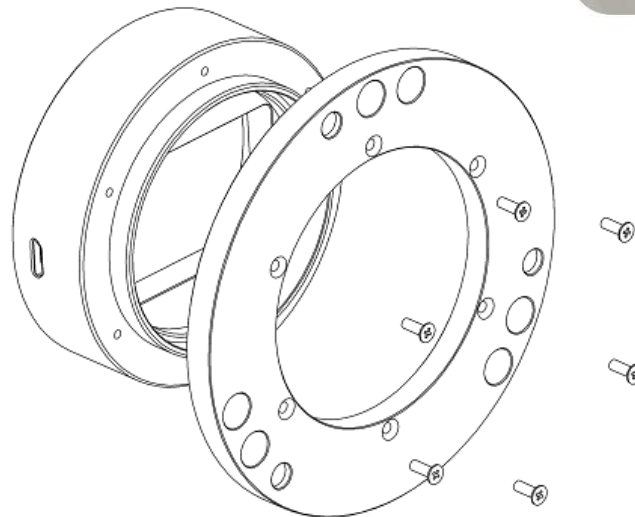


Note: for mounting to the camera, M4x6 screws are used (DIN912).

Included in the kit.



SCREW FOR PULL SCREW FOR PUSH

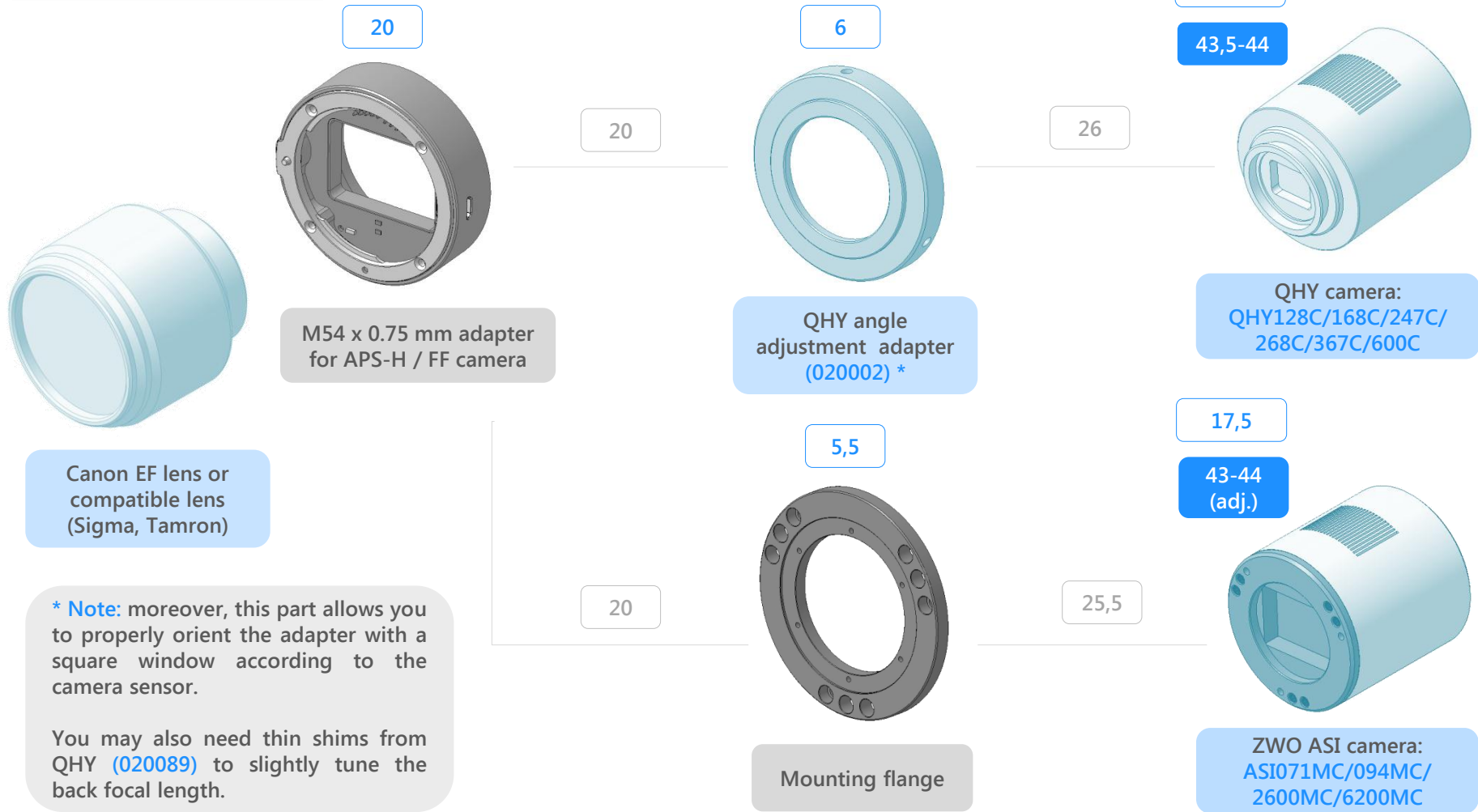


Note: use 6 countersunk head screws M2x6 (ISO7046) to connect the flange to the adapter.

Included in the kit.

You only need the base adapter (20mm) to use it with your APS-H / FF QHY camera.
Using the special mounting flange (optional) you can connect the base adapter to your ZWO ASI camera.

Note: back focal length of Canon lenses is about 44 mm.



* **Note:** moreover, this part allows you to properly orient the adapter with a square window according to the camera sensor.

You may also need thin shims from QHY (020089) to slightly tune the back focal length.

For ordering information, please contact us via:

Skype: [live:astromechanicsgroup](skype:live:astromechanicsgroup)

or

E-mail: astromechanicsgroup@gmail.com

Didn't find a suitable adapter? Don't worry!

[We can make a custom adapter](#) of any thickness, with any thread and even according to your drawings! Feel free to contact us.

This page provides useful links to camera drawings and other resources.

For detailed information, please refer to the official website of the camera manufacturer.

Model	URL	Description
QHY128C	https://astromechanics.org/downloads/ascom_ef/en/pic/QHY_128C.png	Drawing
QHY168C	https://astromechanics.org/downloads/ascom_ef/en/pic/QHY_168C.png	Drawing
QHY247C	https://astromechanics.org/downloads/ascom_ef/en/pic/QHY_247C.png	Drawing
QHY268C	https://astromechanics.org/downloads/ascom_ef/en/pic/QHY_268C.png	Drawing
QHY367C	https://astromechanics.org/downloads/ascom_ef/en/pic/QHY_367C.png	Drawing
QHY600C	https://astromechanics.org/downloads/ascom_ef/en/pic/QHY_600C.png	Drawing
QHY27 QHY28 QHY29	https://astromechanics.org/downloads/ascom_ef/en/pic/QHY_27_28_29.png	Drawing
ASI071MC	https://astromechanics.org/downloads/ascom_ef/en/pic/ASI071MC.png	Drawing
ASI094MC	https://astromechanics.org/downloads/ascom_ef/en/pic/ASI094MC.png	Drawing
ASI2600MC	https://astromechanics.org/downloads/ascom_ef/en/pic/ASI_2600MC.png	Drawing
ASI6200MC	https://astromechanics.org/downloads/ascom_ef/en/pic/ASI_6200MC.png	Drawing