

ASCOM Canon Lens Controller [Mark II](#)  
Special adapter for Moravian G4 camera



This adapter supports:

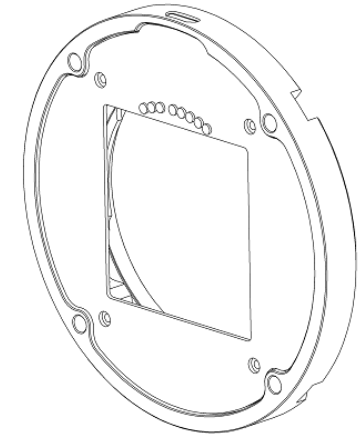
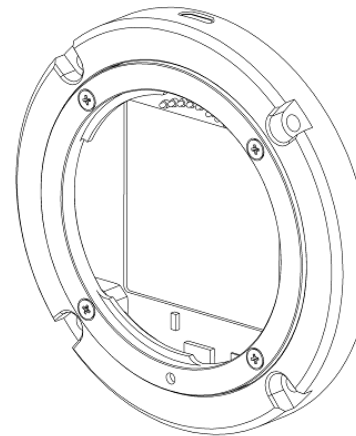
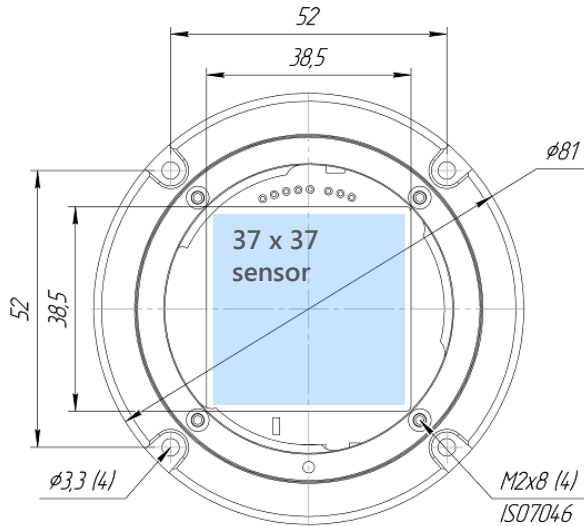
**G4-9000**

**G4-16000**

with a filter wheel

Please, see the Useful Links page for camera drawings.

Adapters are attached to the camera body using four M3 (3 mm metric) screws.  
Threaded holes on the camera body are placed on the corners of 52 mm square.



M3x8 (DIN912)  
Included in the kit.

This adapter is compatible only  
with Canon EF lenses.

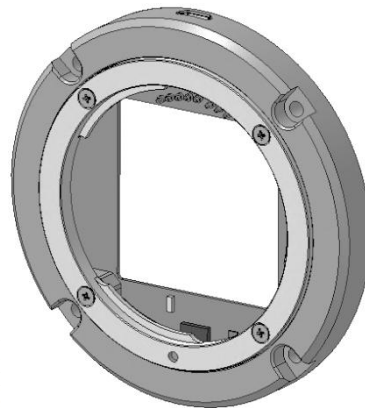
This adapter  
uses a **micro USB** connector.

The adapter is about 10,4 mm thick.  
This is one of our thinnest adapters.

**Note:** back focal length of Canon lenses is about 44 mm.

**Note:** this adapter doesn't require any additional parts.

10,4

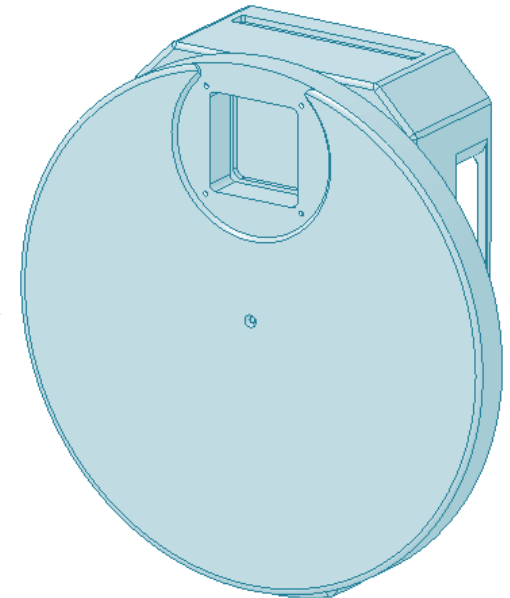


Special adapter for Moravian G4 camera

10,4

33,5

43,9



Moravian G4 camera:  
G4-9000/G4-16000



Canon EF lens or compatible lens (Sigma, Tamron)

For ordering information, please contact us via:

**Skype:** [live:astromechanicsgroup](skype:live:astromechanicsgroup)

or

**E-mail:** [astromechanicsgroup@gmail.com](mailto:astromechanicsgroup@gmail.com)

**Didn't find a suitable adapter? Don't worry!**

[We can make a custom adapter](#) of any thickness, with any thread and even according to your drawings! Feel free to contact us.

**This page provides useful links to camera drawings and other resources.**

For detailed information, please refer to the official website of the camera manufacturer.

Model	URL	Description
<a href="#">Moravian G4 camera</a>	<a href="https://astromechanics.org/downloads/ascom_ef/en/pic/Moravian_G4.png">https://astromechanics.org/downloads/ascom_ef/en/pic/Moravian_G4.png</a> <a href="https://www.gxccd.com/download/G4%20Manual.pdf">https://www.gxccd.com/download/G4%20Manual.pdf</a>	Drawing User manual