

ASCOM Canon Lens Controller [Mark II](#)  
Special adapter for QSI camera with WS(-8) cover



This adapter supports:

QSI 6162

QSI 616

QSI 632

QSI 660

QSI 683

QSI 690

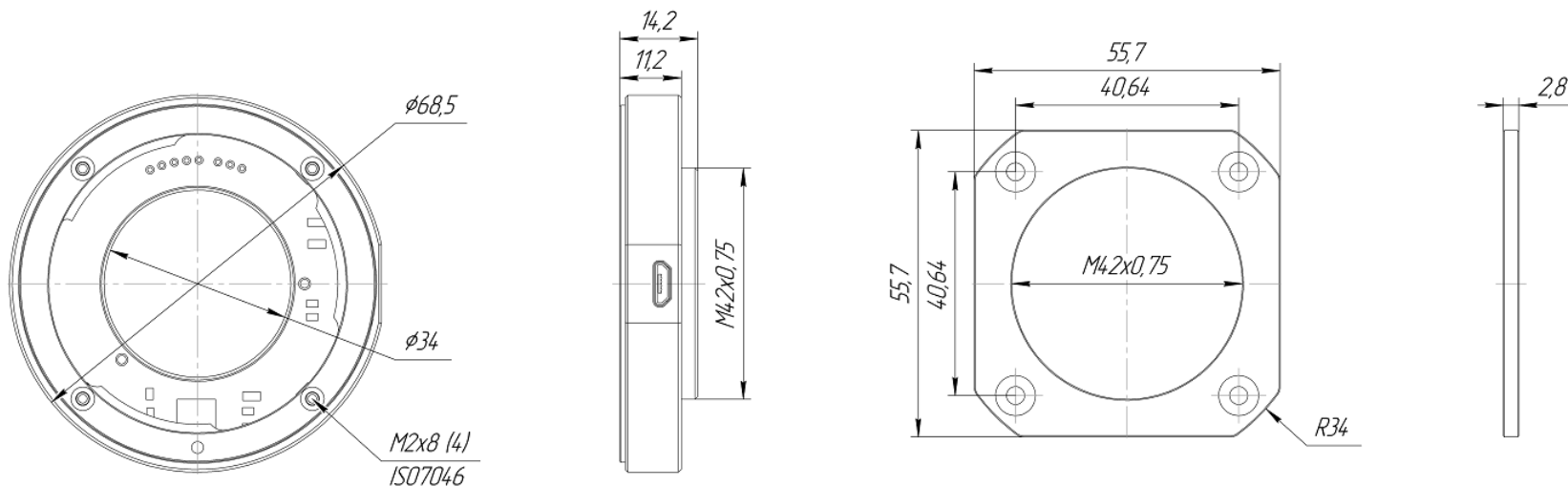
QSI 6120

with a filter wheel (WS cover – 5 pos. or WS-8 cover – 8 pos.)

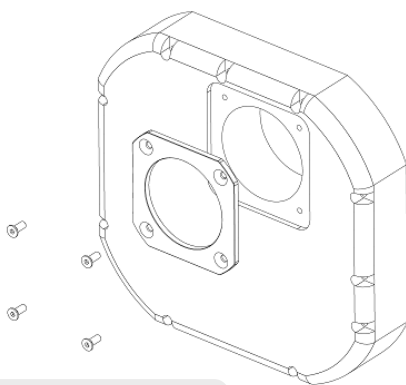
Please, see the Useful Links page for camera drawings.

### The assembly consists of two main parts:

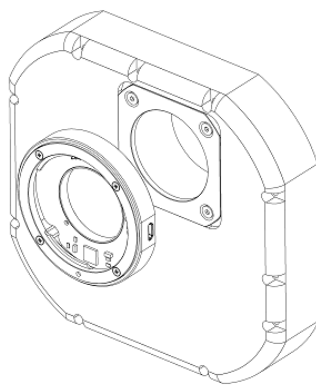
Adapter and mounting flange for installation in a recess (2,5 mm from cover face).



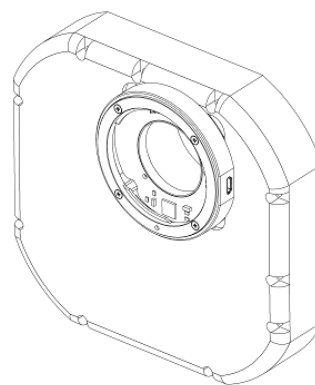
Step 1



Step 2



Step 3



4X 4-40 UNC  
Included in the kit.

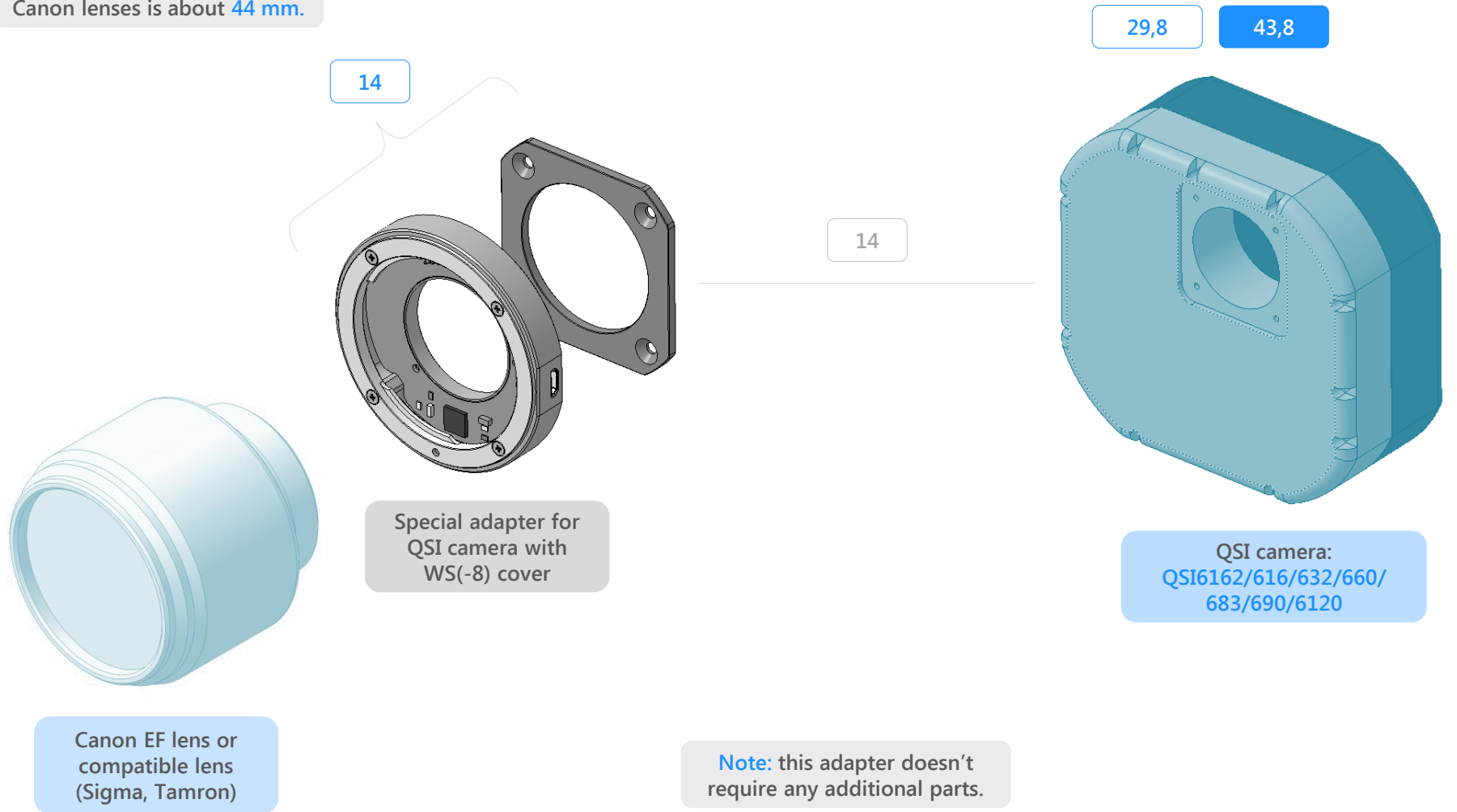
This adapter is compatible only  
with Canon **EF** lenses.

This adapter  
uses a **micro USB** connector.

**Only WS and WS-8 covers are supported.**

The WSG cover has about 44,5 mm back focal length and cannot be used.

**Note:** back focal length of Canon lenses is about 44 mm.



Canon EF lens or compatible lens (Sigma, Tamron)

Special adapter for QSI camera with WS(-8) cover

QSI camera:  
QSI6162/616/632/660/  
683/690/6120

**Note:** this adapter doesn't require any additional parts.

For ordering information, please contact us via:

**Skype:** [live:astromechanicsgroup](skype:live:astromechanicsgroup)

or

**E-mail:** [astromechanicsgroup@gmail.com](mailto:astromechanicsgroup@gmail.com)

**Didn't find a suitable adapter? Don't worry!**

[We can make a custom adapter](#) of any thickness, with any thread and even according to your drawings! Feel free to contact us.

**This page provides useful links to camera drawings and other resources.**

For detailed information, please refer to the official website of the camera manufacturer.

Model	URL	Description
<a href="#">QSI 500 &amp; 600 series camera</a>	<a href="https://qsimaging.com/wp-content/uploads/2019/01/QSI-500-600-Series-Cust-Ref-RevH3.pdf">https://qsimaging.com/wp-content/uploads/2019/01/QSI-500-600-Series-Cust-Ref-RevH3.pdf</a>	Drawing