

ASCOM Canon Lens Controller [Mark II](#)
Special adapter for SBIG STL series camera



This adapter supports:

[STL-1001E](#)

[STL-1302E](#)

[STL-4020M](#)

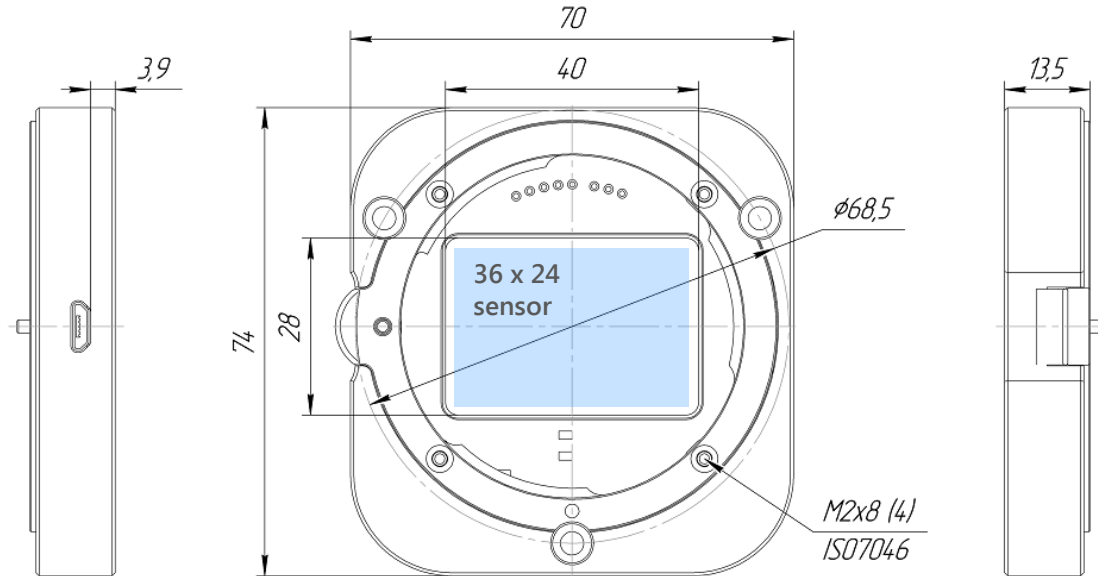
[STL-6303E](#)

[STL-11000M](#)

Please, see the Useful Links page for camera drawings.

The adapter is about 13.5 mm thick.

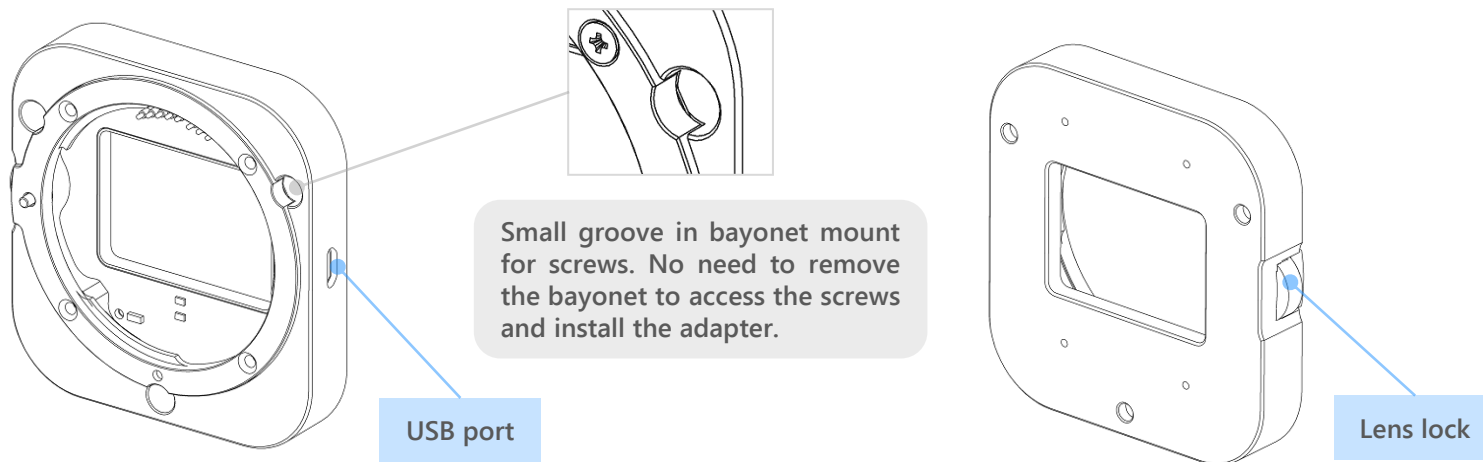
It has a square shape and is similar to the standard mounting flange supplied with the camera.



This adapter is compatible only with Canon EF lenses.

This adapter uses a **micro USB** connector.

Use **6-32x1/4"** screws for mounting the adapter.



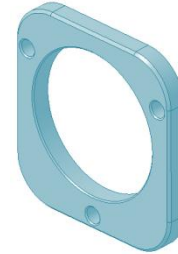
To install this adapter, you must remove the standard mounting flange.

SBIG STL series camera (for example SBIG STL11000) has a back focal length of about 30.4 mm w/o this flange.

Note: back focal length of Canon lenses is about 44 mm.

Note: this adapter doesn't require any additional parts.

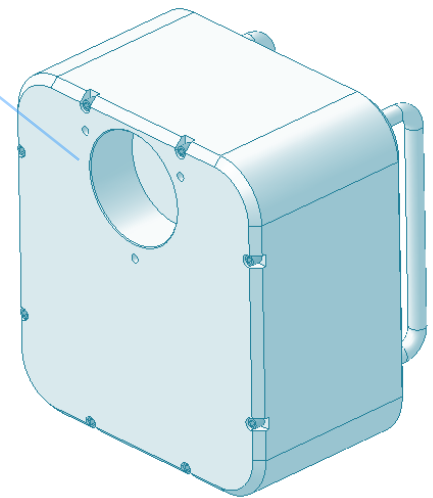
13,5



Standard mounting flange
(need to remove)

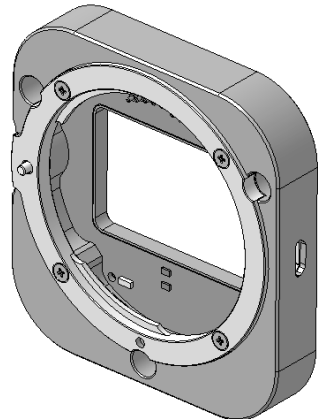
30,4

43,9



SBIG STL camera:
STL-1001E/1302E/4020M/
6303E/11000M

13,5



Special adapter for
SBIG STL series camera



Canon EF lens or
compatible lens
(Sigma, Tamron)

For ordering information, please contact us via:

Skype: [live:astromechanicsgroup](skype:live:astromechanicsgroup)

or

E-mail: astromechanicsgroup@gmail.com

Didn't find a suitable adapter? Don't worry!

[We can make a custom adapter](#) of any thickness, with any thread and even according to your drawings! Feel free to contact us.

This page provides useful links to camera drawings and other resources.

For detailed information, please refer to the official website of the camera manufacturer.

Model	URL	Description
SBIG STL series camera	https://astromechanics.org/downloads/ascom_ef/en/pic/SBIG_STL11K.png	Drawing